



1 Beta-Block

Colourless Plexiglass.
With 4 holes 12mm dia. for 4 Eppendorf tubes or similar.
With side-mounted plastic screws for clamping the tubes.
Inner surface polished for clear view.
Other sizes and models available on request.

Width mm	Length mm	Height mm	PK	Cat. No.
40	104	60	1	9.194 315



2 Beta-waste containers, clear acrylic

With hermetically sealed lift-up lid, for user protection from Beta radiation-contaminated material.
Also suitable for the disposal of other hazardous materials. Wall thickness: 10mm

Width mm	Length mm	Height mm	PK	Cat. No.
80	80	130	1	9.000 946
200	200	300	1	9.000 947
250	250	350	1	9.000 948
300	300	400	1	9.000 949
370	370	720	1	9.194 328



3 Beta waste containers

Made of transparent acrylic glass.
10mm thick. Cylindrical containers, can carry 1 or 2L bottles. Suitable for aqueous solutions.
1L containers can also carry waste bags up to 200 x 300mm for the intermediate storage of solid waste.

Int. dia. mm	Int. height mm	Ext. diam. mm	Height mm	PK	Cat. No.
100	215	120	235	1	9.194 320
130	260	150	280	1	9.194 321



4 Roller steps, WEDO-Step

Colour: blue or red. PP. Very easy to move on 3 castors.
Easily assembled. Lead and cadmium-free, plastic coating.
With non-slip, rubber surface.

Colour	Height mm	Int. dia. mm	Ext. diam. mm	PK	Cat. No.
Blue	430	290	440	1	9.700 400
Red	430	290	440	1	9.700 401



5 Swivel stool with castors

Comfortable swivel stool with black aluminium cross tube base and gas-strut height adjustment.
Soft-wheeled castors.

Type	Seat height adjustment mm	PK	Cat. No.
Beech seat	420 to 540	1	9.733 653
PU foam seat	420 to 540	1	9.733 644
Artificial leather seat	420 to 540	1	9.733 658
Artificial leather seat	470 to 640	1	9.733 654

Further versions available on request.

LLG Laboratory stools, PU foam



According to EN 1728, EN 1021-1 and 1021-2, EN 61340-5-1. Surface enables easy cleaning and disinfecting. Revolving, height adjustable seat. Metal 5-star bar with castors or gliders. Chromed footring as outlined below.

Type	Seat height adjustment mm	Description	PK	Cat. No.
PUR Spezial plus	525 - 770	5 gliders + footring	1	9.732 204 1
PUR Standard plus	525 - 770	5 gliders + footring	1	9.732 208 2
PUR Standard	425 - 540	5 castors	1	9.732 209 3



LLG Laboratory chairs, PU foam



According to EN 1728, EN 1021-1 and 1021-2, EN 61340-5-1. Surface enables easy cleaning and disinfecting. Revolving, height adjustable seat. Metal 5-star bar with castors or gliders. Armrests and chromed footring as outlined below.

Type	Seat height adjustment mm	Description	PK	Cat. No.
PUR Standard II plus	525 to 770	5 gliders + footring + armrests	1	9.732 200 4
PUR Standard II	450 to 580	5 castors	1	9.732 201 5
PUR Standard I plus	525 to 770	5 gliders + footring	1	9.732 202 6
PUR Standard I	425 to 560	5 castors	1	9.732 203 7



1 Chairs, stools and rests

Aluminium frame. With revolving, height adjustable seat.

Zachert



Type	Seat / backrest	Seat height adjustment	Description	PK	Cat. No.
mm					
Chair	PU foam	420 to 540	5 castors	1	9.732 011
Chair	PU foam	490 to 680	5 castors	1	9.732 012
Chair	PU foam	420 to 540	5 castors + seat tilt	1	9.732 010
Chair	PU foam	420 to 540	5 castors + high seat back	1	9.732 015
Chair	PU foam	490 to 680	5 castors + high seat back	1	9.732 016
Chair	PU foam	530 to 790	5 gliders + footring	1	9.732 017
Chair	Beech, natural	420 to 540	5 castors	1	9.732 013
Chair	Beech, natural	520 to 720	5 castors	1	9.732 014
Standing aid	PU foam	520 to 780	5 gliders + footring	1	9.732 030
Standing aid	PU foam	480 to 670*	5 gliders + footring	1	9.732 031
Stool	Beech, natural	420 to 540	5 castors	1	9.732 035

* option: HH gas spring 520 to 780mm.

2



2 Swivel chair

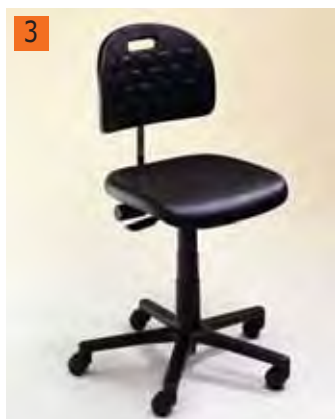
Black plastic-coated aluminium frame, with soft-wheeled castors.
Cushioned, with synthetic black leather finish.
Seat and back covered in plastic.

Simco

Type	Seat height adjustment	PK	Cat. No.
mm			
Chair	420 to 540	1	9.733 651
Chair	470 to 640	1	9.733 652
Chair with gliders*	560 to 820	1	6.201 897

* only with footrest ring available!

3



3 Swivel chair

Black plastic-coated aluminium frame, with soft-wheeled castors.
Cushioned, with synthetic black leather finish. Seat and back covered in plastic.
Perfect for laboratory work!

Simco

Type	Seat height adjustment	PK	Cat. No.
mm			
Chair	420 to 540	1	9.731 312
Chair with gliders*	560 to 820	1	9.731 313

* only with footrest ring available!

1 Laboratory chair Isitec

The colour of the frame is black.

The seat and backrest are made from sealed SoftTouch integral foam. This material can be disinfected and is easy to clean. Despite Isitec Laboratorys minimalist approach, it is still very well equipped, making it an attractive budget solution for laboratory applications. Instead of the sturdy plastic 5 star base, it can also be supplied with a steel 5 star base as an option.

Functions:

- seat height adjustment
- backrest height adjustment
- contact backrest with seat tilt adjustment

Bimos



Type	Seat height adjustment	PK	Cat. No.
	mm		
Isitec 1 with glides	430 to 600	1	9.733 680
Isitec 2 with castors	430 to 600	1	9.733 681
Isitec 3 with glides and base ring	580 to 850	1	9.733 682

Accessories: Ring-shaped armrest, Multifunction armrest and base ring

2 Standing aid

Black metal frame with glides.

With inclinable and rotatable seat, height adjustable via gas strut: 56 to 82cm.

Polyurethane foam seat.

Type	PK	Cat. No.
54 S / GL / SH	1	9.733 655



3 4 Task Luminaire, Diva - PTE 111

With 11 Watt compact fluorescent light, for bright, non-dazzling light.

Brightness equivalent to a 75 Watt tungsten light bulb.

Spring-supported joints enable easy positioning of the lamp.

Please order table clamp 9.705 089 separately.

Specifications:

Supply req.:	230-240 V 50/60 Hz
Fitted with:	1 x compact fluorescent lamp TC-SEL 11W
Mains lead:	approx. 3m: Euro plug
Material:	sectional aluminium
Surface:	anodized
Power consumption:	approx. 12W
Shade:	conical prismatic screen
Colour:	silver coloured, anodized

Type	PK	Cat. No.
Diva - PTE 111	1	9.705 086



1


1 Task Light, Avenue - AVE 111

With 11 Watt compact fluorescent light for bright, non-dazzling light. Brightness equivalent to a 75 Watt tungsten light bulb. Flexible joints enable easy positioning of the lamp.

Please order table clamp 9.705 089 separately.

Specifications:

Supply req.: 230V 50Hz
 Fitted with: 1 x compact fluorescent lamp TC-S 11 W
 Mains cable: approx. 3 m with Euro plug

Shade

material: plastic
 finish: coated

Stand arm

material: tubular aluminium
 finish: coated
 Power consumption: approx. 15W
 Shade: glare-free, prismatic screen
 Colour: metallic silver

Type	PK	Cat. No.
Avenue - AVE 111	1	9.705 087

2


2 Table clamp for lamp DIVA - PTE 111/AVENUE - AVE 111

Type	PK	Cat. No.
Table clamp	1	9.705 089

3


3 Folding steps

Extra wide (31 x 23cm) treads allow the user to stand comfortably without tiring, even over prolonged periods. With automatic safety catch.

Number of steps	Height*	PK	Cat. No.
2	46	1	9.704 403
3	70	1	9.704 404

* Height of top step (cm)



1 Safety steps, collapsible

- Particularly useful for working in places where there is not a lot of height.
- Minimum space requirement for storage and transportation.
- Non-slip serrated aluminium treads.
- Work comfortably and safely on a large standing surface (treads 360mm wide and 230mm deep).
- Side rails made from aluminium extruded profiles for maximum stability.
- Stiles made from tubular steel (25mm diameter) with powder-coated surface.
- With plastic inserts to prevent slipping.

Number of steps	Platform height	Weight	PK	Cat. No.
	m	kg		
2	0.45	3.9	1	9.704 405
3	0.70	6.6	1	9.704 406
3	0.70*	8.4	1	9.704 407
4	0.90*	10.6	1	9.704 409
5	1.15*	12.8	1	9.704 410

* Also equipped with a collapsible safety bar, wide platform and bucket hook.

1



2 Stepladders with treads and padded front edges

- Where the focus is on working comfort.
 - Shin-protecting padding on front tread edges.
 - Wear-resistant, anodised stiles.
 - Treads fitted with plastic caps.
 - Solid safety platform of diecast aluminium (250 x 250mm)
 - Practical aluminium storage tray for small items and tools.
 - Screwed connection between treads and stile.
 - Treads and stiles made from extruded aluminium sections.
 - High-strength Perlon belts prevent splay, fitted on all models of 4 rungs or more.
- Optional feature: mobile version also available.

Number of steps	Platform height	Weight	PK	Cat. No.
	m	kg		
3	0,66	4.4	1	9.704 411
4	0,88	4.9	1	9.704 412
5	1,10	5.8	1	9.704 413
6	1,32	6.9	1	9.704 414
7	1,54	8.2	1	9.704 415
8	1,76	9.6	1	9.704 416
10	2,20	11.8	1	9.704 417
12	2,64	14.6	1	9.704 418

Number of steps including bridge.

2



3 Underbench mobile cabinets

All models are lockable!

Köttermann

Type 1: Underbench mobile cabinet for seated-use workstations, Dimensions (H x D): 570 x 520mm

Type 2: Underbench mobile cabinet for standing-use workstations, Dimensions (H x D): 720 x 520mm

Type	Description	Width mm	PK	Cat. No.
1	1 door, left	450	1	9.731 226
1	1 door, left	600	1	9.731 227
1	3 drawers	450	1	9.731 228
1	3 drawers	600	1	9.731 229
2	1 door, left	450	1	9.731 230
2	1 door, left	600	1	9.731 231
2	4 drawers	450	1	9.731 232
2	4 drawers	600	1	9.731 233

Further mobile cabinets available on request.

3



4 Free-standing tables

For working whilst standing. 1 epoxy-coated, steel shelf, height 300mm.

Köttermann

1 benchtop, melamine. Carrying capacity: 180kg.

Versions without castors are available on request.

Depth mm	Width mm	Height mm	PK	Cat. No.
900	900	750	1	9.731 273
900	1200	750	1	9.731 279

4





1 High capacity tables

Load carrying capacity: 400kg. With rollers. Melamine worktop.

Köttermann

Type	Width mm	Dimensions mm	PK	Cat. No.
1	900	750 x 750	1	9.731 286
1	1200	750 x 750	1	9.731 287
2	900	900 x 750	1	9.731 288
2	1200	900 x 750	1	9.731 289

*Picture, at the front: free standing table, with rolls and underbench cabinet, behind: heavy load table



2 Free-standing tables

Here you will find some planning examples of benches. With melamine laminate worktops they are suitable for all jobs which do not require a high chemical resistance. Ceramic worktops are highly resistant and can be used for all purposes in the laboratory.

Köttermann

Type 1: Working seat height 750mm, depth 750mm

Type 2: Working seat height 900mm, depth 750mm

Specifications:

Material: galvanized and epoxy-powder coated steel

Colour

Base frame: light blue (similar to RAL 7035)

Worktops: blue-grey

Type	Width mm	PK	Cat. No.
1	1200	1	9.731 294
1	1500	1	9.731 295
2	1200	1	9.731 296
2	1500	1	9.731 297

Working table with C foot stand. All benches are available in many other variants on request.



3 Cabinets

Colour: light blue (similar to RAL 7035)

Köttermann

Dimensions (H x D): 1920 x 520mm

Material: galvanized and epoxy powder-coated steel

Steel doors: noise-insulated, in double wall design

Glass doors: toughened safety glass

Hinge: 270° opening angle

Lock: locking system with cylinder lock (glass sliding doors are without lock)

All cabinets are available in many other variants on request.

Description	Width mm	PK	Cat. No.
1 door, left hinge	600	1	9.731 743
1 door, right hinge	600	1	9.731 745
2 doors	1200	1	9.731 747
2 glass doors, 2 doors under	1200	1	9.731 749
2 pull out doors	600	1	9.731 750
4 pull out doors, lockable	1200	1	9.731 470
2 folding doors, lockable 3 adjustable shelves	1200	1	9.731 752



4 Wall mounted cabinets

Wall mounted cabinet with lockable doors. Dimensions (H x D): 480 x 340mm

Köttermann

Description	Width mm	PK	Cat. No.
open front, 1 shelf	600	1	9.731 407
1 door, left, 1 shelf	600	1	9.731 421
1 door, right, 1 shelf	600	1	9.731 422
2 doors, 1 shelf	1200	1	9.731 424
2 glass doors, 1 shelf	1200	1	9.731 426

1 Laboratory safety shield, Makrolon®

Buddeberg

- with impact-resistant Makrolon® panels
- mounted in a metal frame with stable feet to provide a secure stand
- centre panel adjustable to four heights
- with folding side panels (W:220mm)
- full opening possible up to 950mm wide
- Makrolon® panels 6mm thick

Description	Width mm	Height mm	Weight kg	PK	Cat. No.
safety shield	660	700	9.90	1	9.005 132
add top section	660	250	3.65	1	9.005 133



2 Benchtop fume hood

Suitable for placing on existing workbenches. For connection to existing exhaust systems. Exhaust air is extracted directly above the work surface and through the ceiling. With lighting. Alternatively available equipped with built-in, acid-resistant fan and switch mechanism.

Specifications:

Dimensions (WxDxH): 790 x 700 x 1300mm
 Extraction fan flow rate: max. 370m³/h
 Supply requirements: 230 V 50Hz

Type	PK	Cat. No.
Without extraction fan	1	9.733 994
With extraction fan	1	9.733 996



3 Flow monitor

Buddeberg

For fume cupboards.
 Indicates if the fume cupboard is switched on.

Type	PK	Cat. No.
Flow monitor	1	9.003 890



4 Fume hood workstations LABOPUR® H series

NEW!
ECOSAFE

Manipulation of liquid chemicals where and when needed.

Advantages: eliminates installation costs, saves substantially capital and running costs, mobile and easy to relocate wherever needed; protects the user and environment against toxic fumes.
 - Low Energy consumption: less than 200KWh /year (for 2100 hours usage)

Choice of two activated charcoal filters (Please order separately!):

- „ORG“ filter for flammables and organics
 - „CORG“ filter, suitable for the most common laboratory chemicals
- Other specific filters (e.g. methanol, hexane, mercury) available on request

Standard equipment:

- Built in 15/10 steel, covered with white Epoxy (RAL 9010) with blue stripes
- HPL-Worktop (standard) laid on removable retention tank; or tempered glass worktop (optional)
- Transparent polycarbonate glazed walls on all four sides for comfortable working or lectures
- Ergonomic hand traps for convenient manipulation of chemicals
- 2 or 4 protective caps for easy usage of external supplies (e.g. power cables, water, gas)
- Air velometer; sampling outlet for reactive tube measurement

Recirculating air filter system (CLASS 2) and coal filters Norm NFX 15-211

- Noiseless fan: 49dB(A), 220-240V, 50 Hz, 47W, 0.2 A
- Air flow: 203m³/h; face velocity: 0.4 to 0.6m/s
- Ventilation system with lighting control in case of system failure

**Please choose fume hoods, charcoal filters, trolleys and accessories according to your needs.
 Delivered mounted.**

Further dimensions available on request.



Furniture/Fume hoods

1


1 Fume hoods LABOPUR® H series

ECOSAFE

Type	External dimensions (W x D x H) mm	Weight kg	PK	Cat. No.
H 200	610 x 620 x 980	34	1	4.007 810
H 300	800 x 620 x 750	33	1	4.007 812
H 400	800 x 620 x 980	44	1	4.007 814
H 1300	1000 x 740 x 1200	60	1	4.007 809
H 2300	1300 x 740 x 1200	78	1	4.007 811
H 3500	1600 x 740 x 1200	97	1	4.007 813

2


2 Charcoal filters for ductless fume hoods LABOPUR® H series

ECOSAFE

Charcoal filter „ORG“: for flammables and organics
Charcoal filter „CORG“: suitable for the most common laboratory chemicals

Type	For model	PK	Cat. No.
ORG200	H 200	1	4.007 817
CORG201	H 200	1	4.007 802
ORG1300	H 300, H 400, H 1300, H 2300	1	4.007 816
CORG1301	H 300, H 400, H 1300, H 2300	1	4.007 801
CORG3501	H 3500	1	4.007 804

Accessories for Fume hoods LABOPUR® H series

ECOSAFE

Type	Description	PK	Cat. No.
LU20	Lighting for Fume hoods	1	4.007 815
SFA2	Filteralarm with acoustic / visual alarm	1	4.007 832

Worktops made from tempered glass available on request.

3


3 Trolleys for Fume hoods LABOPUR® H series

ECOSAFE

Trolley with 1 removable shelf for sitting or standing position. Height without castors: 800mm. Height with castors: 860mm.

Type	For model	Weight kg	PK	Cat. No.
TR 20	H 200	30	1	4.007 834
TR 34	H 300, H 400	33	1	4.007 837
TR 135	H 1300	37	1	4.007 833
TR 235	H 2300	39	1	4.007 835
TR 335	H 3500	42	1	4.007 836

We can supply this
manufacturer's
whole
product range !

partner of the
LLG
Lab Logistics Group

ECOSAFE

1 Workstation with deaerated storage cabinet LABOPUR® H series Package

NEW!

Manipulation and storage in the laboratory: all in one.

ECOSAFE

The storage cabinet is connected to the fume hood in order to extract and absorb the toxic fumes from both items. The self-contained system provides mobility, security and highly reduces running costs. No ductwork or exhaust system required, no discharge of toxic gases to the environment. No heating or cooling of air.

Technical specifications of the cabinet:

- Blue stripes built in steel 15/10, white Epoxy paint (RAL 9010) pictogram ISO 3864, EU 92/58/CEE
- Self-closing wing doors, locking system
- 1 height-adjustable retention shelf, 1 retention tank
- 4 castors (height of castors: 60mm)
- Vent grids in the lower part, connection element to the fume hood

LABOPUR® Workstation supplied with:

- Ventilated storage cabinet
- Fume hood with recirculating air filtration system CLASSE 2, certified Norm NF X 15-211, May 2009
- Charcoal filter „CORG“: absorbs inorganic/organic acids vapors and organic preparations and solvents

Type	External dimensions (W x D x H) mm	Weight kg	PK	Cat. No.
PMSF200	610 x 620 x 1880	68	1	4.007 826
PMSF300	800 x 620 x 1650	77	1	4.007 827
PMSF400	800 x 620 x 1880	88	1	4.007 828
PMSF500	900 x 740 x 2100	111	1	4.007 829
PMSF1300	1000 x 740 x 2100	123	1	4.007 825



1 Ductless Fume Hoods Type Ascent™ Max



Compact, energy saving fume hood without ducting system.

Esco

- Independent tested and comply with AFNOR NFX 15-211 standard
- Easy Filter Change
- Average Inflow Air Velocity: 0.4m/s
- Sentinel-Microprocessor with LCD-Display, air velocity alarm and 24-hour-clock
- Fluorescent lighting provides superior illumination of the work zone
- Tempered glass sliding sash
- Tempered glass side panel
- ISOCIDE™ antimicrobial coating on all painted surfaces minimizes contamination.
- Stainless steel worktop
- Electrical outlets

Other units:

- Secondary Backup HEPA filter - suitable when the application involves the generation of biohazardous aerosols in the work zone
- Secondary Backup Carbon filter, offers a higher filtration efficiency against toxic fumes

Please order filters separately.

More options, support stands, installation on request

Type	Size	External dimensions (W x D x H) mm	PK	Cat. No.
Ascent™ Max ADC-2B1	0.6 m	730 x 735 x 1460	1	7.939 174
Ascent™ Max ADC-3B1	0.9 m	1035 x 714 x 1410	1	7.939 193
Ascent™ Max ADC-4B1	1.2 m	1340 x 714 x 1410	1	7.939 195
Ascent™ Max ADC-5B1	1.5 m	1645 x 714 x 1410	1	7.939 204
Ascent™ Max ADC-6B1	1.8 m	1959 x 714 x 1410	1	7.939 213
Ascent™ Max ADC-3C1*	0.9 m	1035 x 714 x 1460	1	7.939 215
Ascent™ Max ADC-4C1*	1.2 m	1340 x 714 x 1460	1	7.939 223
Ascent™ Max ADC-5C1*	1.5 m	1645 x 714 x 1460	1	7.939 331
Ascent™ Max ADC-6C1*	1.8 m	1950 x 714 x 1460	1	7.939 339
Ascent™ Max ADC-3E1**	0.9 m	1035 x 714 x 1485	1	7.939 351
Ascent™ Max ADC-4E1**	1.2 m	1340 x 714 x 1485	1	7.939 352
Ascent™ Max ADC-5E1**	1.5 m	1645 x 714 x 1485	1	7.939 353

*secondary filter, charcoal

**secondary filter, HEPA



Biological Safety Cabinets - please see page 1241



1 Ductless Fume Hoods Type Ascent Opti™/Ascent Opti™ Basic



Compact, energy saving fume hood without ducting system.

Esco

- Independent tested and complies with AFNOR NFX 15-211 standard
- Average Inflow Air Velocity: 0.5m/s
- Easy Filter change
- Sentinel-Microprocessor with LCD-Display, air velocity alarm and 24-hour-clock*
- Fluorescent lighting provides superior illumination of the work zone*
- Sloped polycarbonate front window
- Optional with transparent back wall
- Polycarbonate side walls
- ISOCIDE™ antimicrobial coating on all painted surfaces minimises contamination.
- Stainless steel spill-retaining work top.*
- Sampling port
- Pass-through ports in the back wall

Hood is delivered unassembled. On-site assembly can be completed in 60 mins. without special tools.

Please order filters separately

More options, support stands, installation on request.



Type	Size	External dimensions (W x D x H) mm	PK	Cat. No.
Ascent Opti™ SPD-3A1	0.9 m	840 x 700 x 1125	1	7.939 161
Ascent Opti™ Basic SBP-2A1	0.6 m	542 x 700 x 990	1	7.939 153
Ascent Opti™ SPD-4A1	1.2 m	1140 x 700 x 1125	1	7.939 170

* doesn't apply to Ascent Opti Basic (SPB-2A1)

2 Hazardous material workplace Comfort Line GAP.125.12.7

asecos GmbH

- specified workplace limit values are maintained
- Ventilation test according to DIN EN 14175-3 (5.4.4)
- maximum user safety
- made of chemically resistant, anodised aluminium profiles
- glazed at the side made from 5mm ESG (tempered safety glass)
- highly effective pollutant capture through special, internally mounted fresh air curtain equipment
- connecting pieces (DN160) in the ceiling region for connecting to the customer's exhaust air plant

Standard equipment:

- integrated, workplace lighting mounted to avoid glare
- transparent side panels
- fold-away deflector
- melamine resin coated rear panel
- stainless steel (V2A/1.4301) work plate (vat sealed by welding)
- on and off function, exhaust air control and light switch at the lower right front side

Specifications

Dimensions (WxDxH): 1200 x 750 x 1400mm

Description	PK	Cat. No.
Hazardous material workplace Comfort Line GAP.125.12.7	1	9.840 627
Transparent rear panel	1	9.840 628
Under frame (H=865 mm)	1	9.840 588



1


1 Filtration safety cabinets LABOPUR® 12X series

NEW!

ECOSAFE

Safe storage in laboratories and working premises without duct-infrastructure

- No ductwork required, no connection to extraction systems needed, very easy to set-up
- High filter efficiency due to specially engineered active coal technology
- Tested and approved according to Norm NFX 15-211
- Protects laboratory users and environment from toxic fumes. Reduces total carbon footprints
- Low energy consumption: less than 500KWh per year, approx. filter life: 10 to 12 months
- Vertical compartment architecture allows segregated and secure storage

Storage capacity/Number of perforated shelves and retention tanks

- AF2X : 140L (140 x 1L or 60 x 2.5L bottles)/4 x shelves, 1 x tank
- AF2-2X : 120L (120 x 1L or 56 x 2.5L bottles)/8 x ½-shelves, 2 x ½- tanks
- AF4-2X : 280L (280 x 1L or 120 x 2.5L bottles)/8 x shelves, 2 x tanks
- AF4-4X : 240L (240 x 1L or 112 x 2.5L bottles)/16 x ½-shelves, 4 x ½ tanks

Equipped with:

- Built in 15/10steel, covered with white Epoxy (RAL 9010) with blue stripes
- Large glazed door(s) with framing; double air inlet at the bottom
- 4 perforated shelves adjustable in height, extractable retentions tanks

Ventilation/filtration system and charcoal filters

- According to Norm NFX 15-211
- Noiseless fan: 49 dB(A), 220-240V, 50Hz, 47W, 0.2A
- Airflow: 203 m³/h, ventilation system with lighting control
- Filteralarm: sounding led for control of any airflow irregularities and filter obstruction (optional)

Charcoal filters - please order separately.

Type	Description	External dimensions (W x D x H) mm	Internal dimensions (W x D x H) mm	Weight kg	PK	Cat. No.
AF 2X	with 1 partition	800 x 545 x 1900	780 x 500 x 1660	140	1	4.007 796
AF 2-2X	with 2 partitions	800 x 545 x 1900	(2x) 380 x 500 x 1660	150	1	4.007 795
AF 4-2X	with 2 partitions	1600 x 545 x 1900	(2x) 780 x 500 x 1660	280	1	4.007 798
AF 4-4X	with 4 partitions	1600 x 545 x 1900	(4x) 380 x 500 x 1660	300	1	4.007 799

Accessories for Filtration cabinets LABOPUR® 12.X series

NEW!

ECOSAFE

Type	Description	Dimensions (W x D x H) mm	PK	Cat. No.
ORG1300	charcoal filter for 12.X series (organic / flammable materials)	200 x 100 x 400	1	4.007 816
CORG1301	charcoal filter for 12.X series (corrosive / flammable materials)	200 x 100 x 400	1	4.007 801
ESAF	additional shelf for AF 2X, AF 4-2X	780 x 470 x 20	1	4.007 807
ESAF2	additional ½-shelf for AF 2-2X, AF 4-4X	370 x 470 x 20	1	4.007 808

2


2 Accessories for Filtration cabinets LABOPUR® 14.X series

NEW!

ECOSAFE

Same user benefits as 12X series, with classical design and corrosive protection.

Supplied with:

- Filtration box (Types H50 and CORG51) with „universal CORG charcoal filter“
- Retention shelves adjustable in height; retentions tanks; transparent framed doors
- Special protection for corrosives (optional)

Type	Description	External dimensions (W x D x H) mm	PK	Cat. No.
AF 3X	with 1 glass door, 3 shelves, drain tray (150 l)	800 x 545 x 1900	1	4.007 797
AF 5-2X	with 2 glass doors, 6 shelves, drain tray (2x140 l)	800 x 545 x 1900	1	4.007 800
CORG51	Spare charcoal filter	390 x 390 x 70	1	4.007 805
EE1	additional shelf	540 x 470 x 20	1	4.007 806
SEPVC	additional tray PVC	530 x 460 x 20	1	4.007 831
SBPVC	additional tray PVC	530 x 460 x 100	1	4.007 830
SFA2	Filteralarm with acoustic / visual alarm		1	4.007 832

1 Recycling air filter box LABOPUR® H series for Safety cabinets



For all common safety cabinets.
Fan extracts harmful and toxic vapors from the cabinet. The active charcoal filters out chemical fumes and recycles the air. Personal and environmental protection, no duct required.

ECOSAFE



Technical specifications:

- Vent-System and filter absorption capacity tested and approved NFX 15-211norm
- Built in 15/10 steel, covered with white Epoxy (RAL 9010) with blue stripes
- Specialised high efficiency super-activated charcoal filter, treated for the major common chemicals
- Noiseless fan: 43 dB(A), 220-240V, 50Hz, 47Watts, 0.2A, airflow 86m3/h
- Dust-protection pre-filter, efficiency 92% for particles < 3µm
- 3 connection inlets, diameter 100mm. Plug-and-use

Type	Description	External dimensions (W x D x H) mm	Weight kg	PK	Cat. No.
H 50	Recycling air filter box (charcoal filter ORG50 or CORG51 please order separately)	310 x 460 x 460	18	1	9.840 201
ORG50	Charcoal filter for flammable chemicals	70 x 390 x 390	8	1	9.840 202
CORG51	Charcoal filter for corrosive and flammable chemicals	390 x 390 x 70	9	1	4.007 805
KRC	Connection kit (1 sleeve, 1m flex-tube, 2 clamps)		1	1	9.840 203

2 Poison cabinets

Lockable poisons cabinets made of sheet steel or melamine resin-coated wood. With a base spillage tray and an additional inner compartment which is also lockable.

Type	Width mm	Depth mm	Height mm	PK	Cat. No.
Sheet steel	450	250	600	1	9.733 635
Plastic-coated wood	450	350	760	1	9.733 636



Fire resistant safety storage cabinets Pegasus VBF.196.60+

- safe storage of hazardous materials in workrooms
- TSA - automatic door closing system
- outer corpus made from sheet steel, with chemically resistant interior
- lockable doors, cabinets can be integrated in master key systems
- adjusting aids to compensate for uneven floor
- exhaust air connection (NW 75) on top of the cabinet
- door open-arrest system as a standard
- height adjustable shelves (32mm increments), maximum load: 75kg (evenly distributed)

asecos GmbH

Items supplied: Safety storage cabinet Pegasus VBF.196.60+, 3 shelves, bottom collecting sump (22 Litre volume) and perforated metal plate insert.

Approved and safe

- labelling in accordance with EN 14470-1, 90 minutes fire resistance
- GS approved, CE compliant

Please order ventilation system separately.

Specifications

outer dimensions (WxDxH):	600 x 615 x 1968mm
inner dimensions (WxDxH):	450 x 520 x 1740mm
Shelf (WxDxH):	443 x 435 x 30mm
Weight cabinet:	260kg
Colour:	grey RAL 7035

Description	PK	Cat. No.
Safety storage cabinets Pegasus Type VBF.196.60+	1	9.840 613 3
Additional shelf, 600mm	1	9.840 514
Recirculating air filter system (option)	1	9.840 615 4
Ventilation system (option)	1	9.840 616 5

Door hinged left as a standard. Door hinged right upon request (no surcharge).

Note: filter change with disposal of the contaminated filter by asecos service engineer (with normal contamination) is recommended annually.



9.840 613



9.840 615



9.840 616

1


9.840 611

Fire resistant safety storage cabinets Pegasus VBF.196.120+

asecos GmbH

- safe storage of hazardous materials in workrooms
- AGT (asynchronous coupled door opening mechanism). Open two doors with one grip of the hand, almost effortlessly.
- TSA - automatic door closing system
- outer corpus made from sheet steel, with chemically resistant interior
- lockable doors, cabinets can be integrated into master key systems
- adjusting aids to compensate for uneven floor
- exhaust air connection (NW75) on top of the cabinet
- door open-arrest system as a standard
- height adjustable shelves (32mm increments), maximum load: 75kg (evenly distributed)

Items supplied: Safety storage cabinet Pegasus VBF.196.120+, 3 shelves, bottom collecting sump (33 litre volume) and perforated metal plate insert.

Approved and safe

- labelling in accordance with EN 14470-1, 90 minutes fire resistance
- GS approved, CE compliant

Please order ventilation system separately.

Specifications

outer dimensions (WxDxH):	1200 x 615 x 1968mm
inner dimensions (WxDxH):	1050 x 520 x 1740mm
Shelf (WxDxH):	1043 x 435 x 30mm
Weight cabinet:	420kg
Colour:	grey RAL 7035

2


9.840 615

3


9.840 616

Description

PK Cat. No.

Safety storage cabinets Pegasus VBF.196.120+	1	9.840 611	1
Additional shelf, 1200mm	1	9.840 532	
Recirculating air filter system (option)	1	9.840 615	2
Ventilation system (option)	1	9.840 616	3

Note: filter change with disposal of the contaminated filter by asecos service engineer (with normal contamination) is recommended annually.

4


9.840 624

Fire resistant safety storage cabinets Phoenix Vol. 2 VBFT196.60+

asecos GmbH

- folding door, 50% less protrusion, ideal for small corridors
- safe storage of hazardous materials in workrooms
- TSA - automatic door closing system
- outer corpus made from sheet steel, with chemically resistant interior
- lockable door, cabinets can be integrated into master key systems
- adjusting aids to compensate for uneven floor
- exhaust air connection (NW75) on top of the cabinet
- door open-arrest system as a standard
- height adjustable shelves (32mm increments), maximum load: 75kg (evenly distributed)

Items supplied: Safety storage cabinet Phoenix Vol. 2 VBFT196.60, 3 shelves, bottom collecting sump (22 litre volume) and perforated metal plate insert.

Approved and safe

- labelling in accordance with EN 14470-1, 90 minutes fire resistance
- GS approved, CE compliant

Please order ventilation system separately.

Specifications

outer dimensions (WxDxH):	600 x 615 x 1968mm
inner dimensions (WxDxH):	450 x 520 x 1740mm
Shelf (WxDxH):	443 x 435 x 30mm
Weight cabinet:	260kg
Colour:	Light grey RAL 7035

5


9.840 615

6


9.840 616

Description

PK Cat. No.

Safety storage cabinets Phoenix Vol. 2 VBFT196.60+	1	9.840 624	4
Ventilation add-on, 600 mm	1	9.840 514	
Recirculating air filter system (option)	1	9.840 615	5
Ventilation system (option)	1	9.840 616	6

Door hinged left as a standard. Door hinged right upon request (no surcharge).

Note: filter change with disposal of the contaminated filter by asecos service engineer (with normal contamination) is recommended annually.

Fire resistant safety storage cabinets Phoenix Vol. 2 VBFT196.60+ with extension

asecos GmbH

- folding door, 50% less protrusion, ideal for small corridors
- safe storage of hazardous materials in workrooms
- TSA - automatic door closing system
- outer corpus made from sheet steel, with chemically resistant interior
- lockable door, cabinets can be integrated into master key systems
- adjusting aids to compensate for uneven floor
- exhaust air connection (NW75) on top of the cabinet
- door open-arrest system as a standard
- patentent pull-out drawers (WxDxH in mm: 345 x 500 x 50), space saving and easy access to all containers/bottles

Items supplied: Safety storage cabinet Phoenix Vol .2 VBFT196.60+, 6 pull-out drawers, maximum load: 25kg (evenly distributed)

Storage capacity for each drawer:

- 30 aerosol cans, 400ml
- 12 glass or PE bottles, 1l
- 12 glass bottles, 2.5l

Approved and safe

- labelling in accordance with EN 14470-1, 90 minutes fire resistance
- GS approved, CE compliant

Specifications

outer dimensions (WxDxH):	600 x 615 x 1968mm
inner dimensions (WxDxH):	450 x 520 x 1740mm
Shelf (WxDxH):	345 x 500 x 50mm
Weight cabinet:	260kg
Colour:	Light grey, RAL 7035



Description	PK	Cat. No.
Safety storage cabinets Phoenix Vol. 2 VBFT196.60+ with 6 drawers	1	9.840 625 1
Recirculation air filter system (option)	1	9.840 615 2
Ventilation system (option)	1	9.840 616 3

Door hinged left as a standard. Door hinged right upon request (no surcharge).

Note: filter change with disposal of the contaminated filter by asecos service engineer (with normal contamination) is recommended annually.

We can supply this
manufacturer's
whole
product range !





9.840 617



9.840 615



9.840 616

Fire resistant safety storage cabinets Phoenix Vol. 2 VBFT196.120+

asecos GmbH

- folding doors, 50% less protrusion, ideal for small corridors
- safe storage of hazardous materials in workrooms
- AGT (asynchronous coupled door opening mechanism). Open two doors with one grip of the hand, almost effortlessly.
- TSA - automatic door closing system
- outer corpus made from sheet steel, with chemically resistant interior
- lockable doors, cabinets can be integrated into master key systems
- adjusting aids to compensate for uneven floor
- exhaust air connection (NW75) on top of the cabinet
- door open-arrest system as a standard
- height adjustable shelves (32mm increments), maximum load: 75kg (evenly distributed)

Items supplied: Safety storage cabinet Phoenix Vol. 2 VBFT196.120+, 3 shelves, bottom collecting sump (33 litre volume) and perforated metal plate insert.

Approved and safe

- labelling in accordance with EN 14470-1, 90 minutes fire resistance
- GS approved, CE compliant

Please order ventilation system separately.

Specifications

outer dimensions (WxDxH):	1200 x 615 x 1968mm
inner dimensions (WxDxH):	1050 x 520 x 1740mm
Shelf (WxDxH):	1043 x 435 x 30mm
Weight cabinet:	420kg
Colour:	grey RAL 7035

Description	PK	Cat. No.
Safety storage cabinet Phoenix Vol.2 VBFT196.120+	1	9.840 617 1
Additional shelf, 1200 mm	1	9.840 532
Recirculation air filter system (option)	1	9.840 615 2
Ventilation system (option)	1	9.840 616 3

Note: filter change with disposal of the contaminated filter by asecos service engineer (with normal contamination) is recommended annually.



Fire resistant safety storage cabinets Phoenix Vol. 2 VBFT196.120+ with extension

asecos GmbH

- folding doors, 50% less protrusion, ideal for small corridors
- safe storage of hazardous materials in workrooms
- AGT (asynchronous coupled door opening mechanism). Open two doors with one grip of the hand, almost effortlessly.
- TSA - automatic door closing system
- outer corpus made from sheet steel, with chemically resistant interior
- lockable doors, cabinets can be integrated into master key systems
- adjusting aids to compensate for uneven floor
- exhaust air connection (NW75) on top of the cabinet
- door open-arrest system as a standard
- patented pull-out drawers (WxDxH in mm: 840 x 490 x 90), space saving and easy access to all containers/bottles

Items supplied: Safety storage cabinet Phoenix Vol. 2 VBFT196.120+, 6 pull-out drawers, maximum load: 25kg (evenly distributed)

Storage capacity for each drawer:

- 90 aerosol cans, 400ml
- 40 glass or PE bottles, 1L
- 15 glass bottles, 2.5L

Approved and safe

- labelling in accordance with EN 14470-1, 90 minutes fire resistance
- GS approved, CE compliant

Please order ventilation system separately. Details about drawer storage heights available upon request.



9.840 618



9.840 615



9.840 616

Specifications

Outer dimensions (WxDxH):	1200 x 615 x 1968mm
Inner dimensions (WxDxH):	1050 x 520 x 1740mm
Shelf (WxDxH):	890 x 490 x 90mm
Weight cabinet:	420kg
Colour:	grey RAL 7035

Description	PK	Cat. No.
Safety storage cabinets Phoenix Vol. 2 VBFT196.120+ with 6 drawers	1	9.840 618 1
Recirculation air filter system (option)	1	9.840 615 2
Ventilation system (option)	1	9.840 616 3

Note: filter change with disposal of the contaminated filter by asecos service engineer (with normal contamination) is recommended annually.

4 | 5 PP, PE, sump liners for safety storage cabinets.

- Increased protection of drawers when storing mildly aggressive liquids and in case of a leakage
- Removable for safe disposal of leakages and easy cleaning

asecos GmbH

For	Material	PK	Cat. No.
for drawers, for safety cabinet of width 1200mm	PP	1	9.840 619
for drawers, for safety cabinet of width 600mm	PP	1	9.840 626
for shelves, for safety cabinet of width 1200mm	PE	1	9.840 612
for shelves, for safety cabinet of width 600mm	PE	1	9.840 614



1


1 Safety cabinets for storage of combustible fluids

The purpose of Köttermann safety cabinets is to protect laboratory personnel in the event of a fire. The insulating sandwich construction of the cabinet protects the stored substances against heat and flames. Therefore flammable fluids do not spontaneously ignite; staff have enough time to evacuate the lab to safety.

Köttermann

Tall storage cabinet fittings:

- smooth running, corrosion resistant door closure
- height adjustment
- earth connection
- spillage trough with perforated plate insert
- lockable doors, 75mm diameter extraction port with fire trap
- optional models: ErgoPlus with single handed operation and time delayed automatic door closure

Type 1: 3 shelves

Type 2: 4 drawers

Specifications:

Material: Galvanized and epoxy powder coated steel
 Colour: light grey (similar to RAL 7035) or safety yellow (RAL 1004)
 Fire resistance: 90 minutes (FWF 90) certified according to EN 14470-1

Type	Description	Weight kg	Width mm	Depth mm	Height mm	PK	Cat. No.
1	1 hinged door left	285	600	615	1968	1	9.733 392
1	1 hinged door right	285	600	615	1968	1	9.733 393
1	2 hinged doors	460	1200	615	1968	1	9.733 394
2	1 folding door left, with ErgoPlus	300	600	615	1968	1	9.733 418
2	1 folding door right, with ErgoPlus	300	600	615	1968	1	9.733 419
2	2 folding doors, with ErgoPlus	490	1200	615	1968	1	9.733 420

2


2 Acid and alkali storage cabinets

Acids and alkalis must be stored in special cabinets that reduce contamination of the workplace atmosphere by continuous ventilation. Liquid-tight shelves can also contain larger spillages without problems.

Köttermann

Maximum resistance:

Köttermann acid and alkali cabinets are constructed in solid polypropylene, a material that is well known for its high chemical resistance.

Specifications:

Design: with 2 doors and 4 drawers
 Material: Highly resistant polypropylene
 Colour: light blue (similar to RAL 7035)
 Fittings: Lockable double doors. Liquid-tight, welded PP, pull-out shelves, load bearing capacity 30kg. 75mm dia. extraction port
 Integrated fan (optional): Radial fan, 2600 rpm; 230V 50Hz; PPS; with visual on/off indicator (optional):
 Dimensions (WxDxH): 600 x 1920 x 520mm

Description	PK	Cat. No.
Door right, without fan	1	9.733 270
Door left, without fan	1	9.733 271
Door left, with fan	1	9.733 413
Door right, with fan	1	9.733 414



Chemical storage cabinets

Chemical storage cabinets are used whenever noxious fumes must be extracted selectively at the storage site and unauthorised access must be prevented.

Fittings:

- lockable doors
- shelf loading capacity 30kg
- 75mm diameter extraction port
- integral fan (optional): radial type, 2600rpm; 230V 50Hz; PPS; with visual on/off indicator
- tray-type drawers, full pull out, with air cushioning and automatic retraction, depth: 415mm, load capacity: 40kg max

Specifications:

Material: Galvanized and epoxy powder coated steel
 Colour: light blue (similar to RAL 7035)

Poison compartment

Material: Galvanised and epoxy powder coated steel
 Colour: light blue (similar to RAL 7035)
 Fittings: Lockable door
 Application: As a wall mounted cabinet or installed in chemical storage cabinets



9.731 735



9.731 741

Description	Width mm	Depth mm	Height mm	PK	Cat. No.
Poisons cabinet with 1 door right	350	320	370	1	9.731 735 1
2 doors, with built-in fan, 3 shelves	1200	520	1920	1	9.731 730
2 doors, with built-in fan, 3 drawers	1200	520	1920	1	9.731 753
1 door right, with fan, 3 shelves	600	520	1920	1	9.731 736
1 door right, with fan, 3 drawers	600	520	1920	1	9.731 754
1 door right, without fan, 3 shelves	600	520	1920	1	9.731 737
1 door right, without fan, 3 drawers	600	520	1920	1	9.731 755
1 door left, with fan, 3 shelves	600	520	1920	1	9.731 738
1 door left, with fan, 3 drawers	600	520	1920	1	9.731 756
1 door left, without fan, 3 shelves	600	520	1920	1	9.731 739
1 door left, without fan, 3 drawers	600	520	1920	1	9.731 757
2 doors, with fan, 3 shelves	900	520	1920	1	9.731 740
2 doors, with fan, 3 drawers	900	520	1920	1	9.731 758
2 doors, without fan, 3 shelves	900	520	1920	1	9.731 741 2
2 doors, without fan, 3 drawers	900	520	1920	1	9.731 759
2 doors, without fan, 3 shelves	1200	520	1920	1	9.731 742
2 doors, without fan, 3 drawers	1200	520	1920	1	9.731 760

3 Strap for compressed gas cylinders

For holding gas cylinders containing more than 10 litres up to 300mm Ø in a vertical position. For work tops up to 70mm thick. Rapid release safety catch.

Type	PK	Cat. No.
Strap for compressed gas cylinders	1	9.223 800



4 Gas cylinder trolleys

For safe transport of up to 10-litre gas cylinders in the laboratory. Stable, easy-to-steer design. Non-skid platform and stable, rigid strap cylinder safety collar.

For cylinders no.	PK	Cat. No.
1	1	9.609 101
2	1	9.609 102



Gas cylinder supports

For holding gas cylinders up to 230mm diameter in a vertical position.
For benches/worktops up to 65mm thick.
Rapid release, safety catch.

Type	PK	Cat. No.
Gas cylinder support	1	7.605 462

Fire Resistant Gas Cylinder Cabinets G90 series

- colour: grey RAL 7035
- exhaust air connection (NW75) on top of the cabinet
- adjusting aids to compensate for uneven floor
- large interior height (1858mm)
- lead-through points for pipes, sensors etc. in the ceiling of the cabinet
- complete with mounting rails, rolling ramp, bottle retainer with ratchet straps

asecos GmbH

Approved and safe

- labelling in accordance with EN 14470-2, fire resistance 90 minutes
- GS approved, CE compliant

Description	Weight kg	Dimensions (W x D x H) mm	PK	Cat. No.
for one 50 litre bottle	365	600 x 615 x 2050	1	9.840 610 1
for three 50 litre bottles	490	900 x 615 x 2050	1	9.840 609
for four 50 litre bottles	610	1200 x 615 x 2050	1	9.840 608
for four 50 litre bottles	690	1400 x 615 x 2050	1	9.840 607 2
Ventilation system (option)			1	9.840 616 3

1



9.840 610

2



9.840 607

3



9.840 616

4



4 Gas cylinder cabinets

Gas cylinder cabinets

Köttermann

Köttermann gas cylinder cabinets protect laboratory personnel against exploding compressed gas cylinders in the event of a fire. The insulating sandwich construction protects the enclosed gas cylinders against heat and flames. Staff in the laboratory therefore have enough time to evacuate the laboratory to safety.

Fittings:

- 1 permanently installed loading ramp
- assembly rails for the installation of taps/valves
- cylinder holders with securing straps
- pass through for up to 60 gas ducts
- double doors with 160° opening angle and door latch
- lockable doors
- height adjustment
- earth connection

Specifications:

Material: Galvanised and epoxy powder coated steel
Colour: light blue (similar to RAL 7035) or safety yellow (RAL 1004)
Fire behaviour: Certified according to EN 14470-2, Type 30

Description	Width mm	Depth mm	Height mm	Weight kg	PK	Cat. No.
1 hinged door left	600	615	2050	260	1	9.733 401
1 hinged door right	600	615	2050	260	1	9.733 402
2 doors	900	615	2050	310	1	9.733 403
2 doors	1200	615	2050	440	1	9.733 404
2 doors	1400	615	2050	480	1	9.733 405

Accessories for gas cylinder cabinets

Köttermann

Description	Dimensions (W x D x H) mm	PK	Cat. No.
Screwing Ermeto	-	1	9.733 406
Gas supply unit, bracket for 1 gas cylinder	360 x 1300 x 280	1	9.733 407
Gas supply unit, bracket for 2 gas cylinders	360 x 1300 x 280	1	9.733 408

1 Gas cylinder regulators

To EN ISO 2503. Valve body and cap made of high quality, hot-pressed brass. Provide sensitive adjustment of working pressure. Safety valve blows off upwards.

Type	Pressure bar	PK	Cat. No.
Oxygen	0 to 10 / 16	1	9.223 701
Acetylene	0 to 1.5 / 2.5	1	9.223 705
Carbon dioxide	0 to 10 / 16	1	9.223 710
Compressed air	0 to 10 / 16	1	9.223 721
Compressed air	0 to 20 / 40	1	9.223 722
Hydrogen	0 to 1.5 / 2.5	1	9.223 730
Hydrogen	0 to 10 / 16	1	9.223 731
Nitrogen	0 to 10 / 16	1	9.223 741
Nitrogen	0 to 20 / 40	1	9.223 742
Propane	0 to 1.5 / 2.5	1	9.223 751
Propane with 1 pressure gauge	0 to 1.5 / 2.5	1	9.223 752
Helium	0 to 10 / 16	1	9.223 756
Test gas	0 to 10 / 16	1	9.223 771
Nitrous oxide	0 to 10 / 16	1	9.223 791



The safe laboratory



we care
about your
safety

Systemlabor – the safe laboratory.

Köttermann takes the safety of everyone in the laboratory very seriously! This theme influences everything we do – when we discuss their requirements with our customers; when we develop our products and of course when we commission and service products on site, which might have a bearing on any aspect of safety.

We have thought of every detail: Every aspect of Köttermann laboratories has been thought through and can therefore comfortably support all your processes and opera-

tions at their best. Thanks to the modular system all elements – laboratory furniture, fume cupboards, service supplies and safety cabinets – can be combined, exchanged or retrofitted.

Competent partners assist to make the plans a reality: Together with LLG, we offer you tailor-made and individual advice, analysis of your processes and the best possible solution for your future laboratory.

Köttermann Systemlabor – we care about your safety.

Furniture: Everything ship-shape.



- The unique modular system offers functional, attractive, ergonomic units of unsurpassed quality
- Various versions of cupboards, worktops, basins and sinks offer the maximum in storage space and functionality
- Full pull-outs with air cushioning and self-closure are standard
- Extensive range of accessories offers increased comfort and efficiency (e.g. drawer dividers)

Media supply: Always fully serviced.



- Flexible media systems for all requirements
- All media are easily accessible and are at hand where you need them
- All electrical supplies are halogen free

Cabinets for hazardous substances: We provide safety.



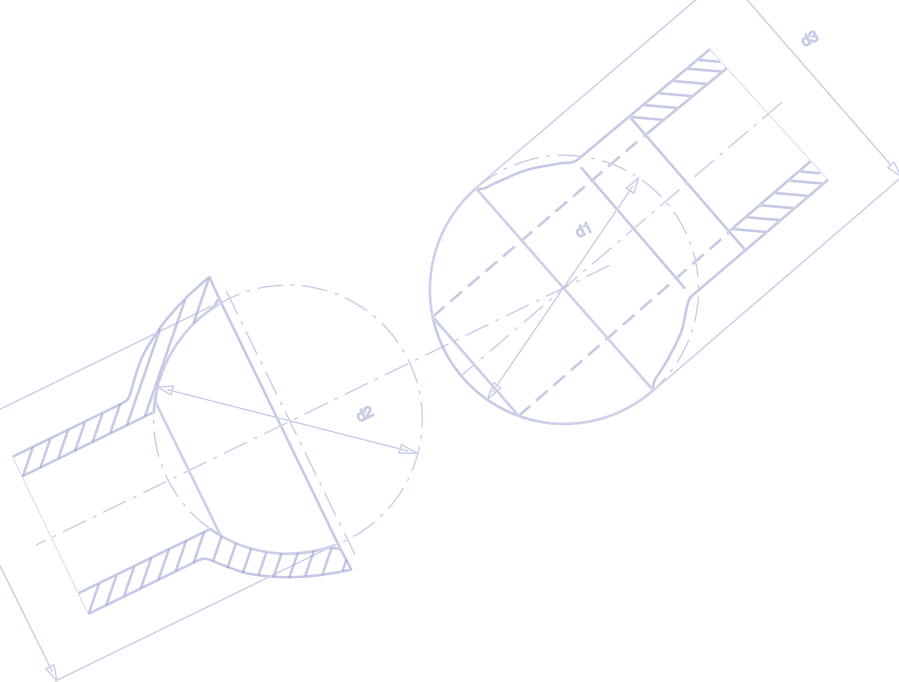
- Special cabinets for flammable, poisonous and corrosive hazardous materials as well as pressure gas cylinders
- Certified to EN 14470
- Innovative door mechanism enables easy opening of both doors using only one hand and time delayed closure after approx. 1 minute

Fume cupboards: Clean air, safe working.



- AutoProtect: More safety* as standard with our intelligent front sash control
- Air Monitor: optical and audible warning of malfunctions within the extraction unit
- Easy opening and closure with innovative Softmatic
- Exemplary protection for the operator, certified to EN 14175
- Low operational costs as less air is used

*except walk-in models



Lenz Laborglas GmbH & Co. KG

Am Ried 8 | 97877 Wertheim | Germany

Telefon +49 (0) 93 42-96 09-0

Fax +49 (0) 93 42-96 09-30

info@lenz-laborglas.de

www.lenz-laborglas.de



Lenz® – The Specialist for Ground Joints

The Lenz® range of laboratory glassware

- Ground joints
- Stopcocks
- Flasks
- Separating/dropping funnels, chromatography
- Components and condensers
- Extractors
- General laboratory accessories
- Water stills
- Reaction vessels and accessories



Electrochemical meters	258
Multi meters 258 + pH meters 269 + Conductivity meters 296 + Oxygen meters 304	
Balances	309
Pocket balances 309 + Precision balances 310 + Analytical balances 315 + Moisture balances 317 + Weights 319 + Accessories 320	
Thermometers	324
Laboratory thermometers 324 + Contact, Insertion thermometers 331 + Temperature meters 342 + Temperature logger 343	
Timing	346
Timers 346 + Clocks 352	
Climate measurement	353
Hygrometer 353 + Special climate meters 360	
Density determination	362
Density meter, Pycnometer 362 + Viscosimeter 368	
Analytical instruments and systems	372
Melting point determination 372 + Spectrophotometers 376	